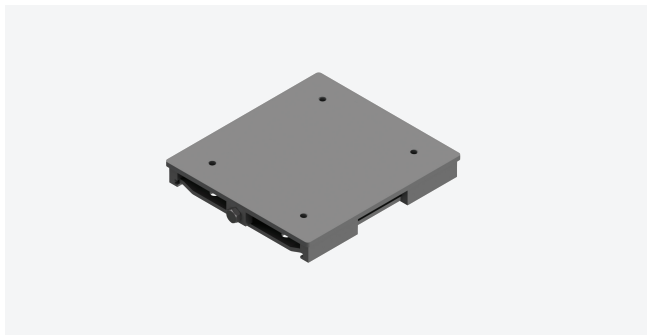
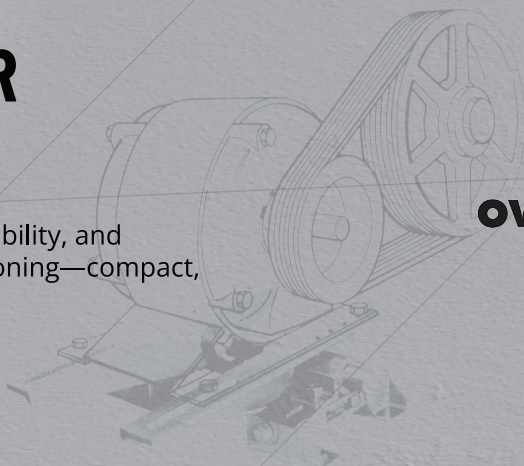


THE RIGHT FOUNDATION FOR ALL YOUR APPLICATIONS

Overly Hautz Gear Drive Mounts deliver the strength, durability, and adjustability needed for precise positioning and belt tensioning—compact, efficient, and customizable.

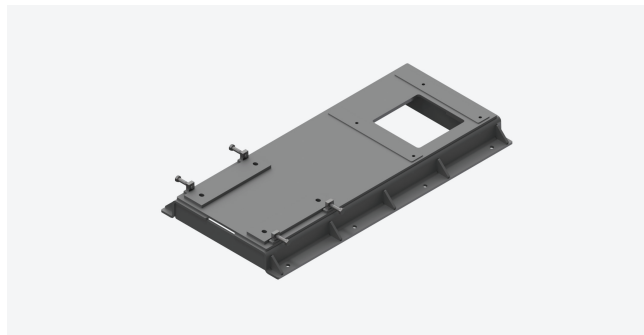


**OVERLY HAUTZ
COMPANY**



Adjustable Gearbox Base

Mounting platform that holds precise adjustments to maintain position or belt tension.



Custom Gearbox Mount

Engineered to your application—direct-coupled or chain-driven—optimized for space and performance



Pivoting Gearbox Mount

A pivot system designed to be used above or below the motor with jack screws for tensioning.



Large-Scale Gearbox Mount

A heavy-duty gearbox mount designed to withstand the intense pressures of large gear drives and high torque loads

FIND THE RIGHT SOLUTION

Our team can help you select the best Overly Hautz mount for your application.

Phone: (513) 932-0025

Fax: (513) 932-1688

Email: motorbases@overlyhautz.com

