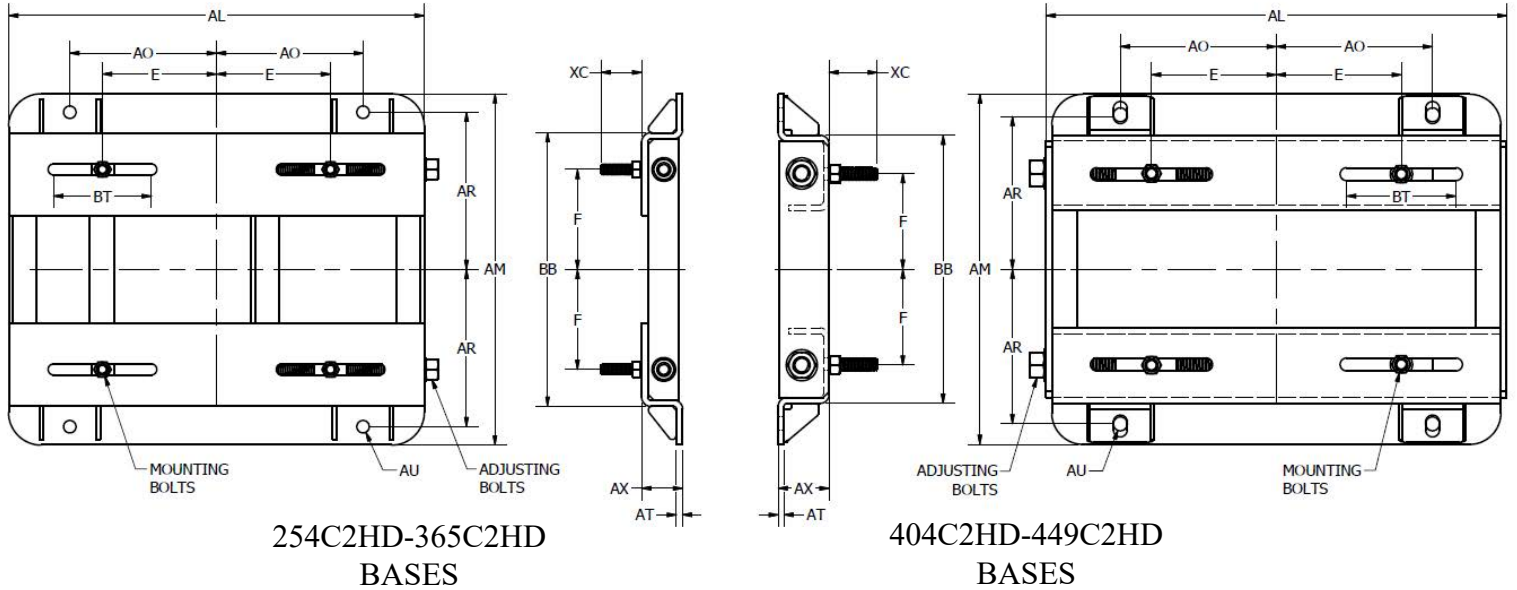


OVERLY HAUTZ COMPANY

THE WORLD'S MOST COMPLETE LINE OF MOUNTING PRODUCTS

C2HD DOUBLE ADJUSTING



DIMENSION CHART FOR C2HD DOUBLE ADJUSTING BASES

PART NUMBER	FRAME SIZE	AL	AM	AX	BB	E	F	AO	AR	AU	BT	AT	XC	MOUNTING BOLTS	ADJUSTING BOLTS
254C2HD	254	17.75	15.13	2.00	11.00	5.00	4.13	6.25	6.63	0.63	4.00	0.31	1.50	1/2"-13	5/8"-8 ACME
256C2HD	256	17.75	16.88	2.00	12.75	5.00	5.00	6.25	7.50	0.63	4.00	0.31	1.50	1/2"-13	5/8"-8 ACME
284C2HD	284	19.75	16.88	2.00	12.75	5.50	4.75	7.00	7.50	0.63	4.50	0.31	2.00	1/2"-13	5/8"-8 ACME
286C2HD	286	19.75	18.38	2.00	14.25	5.50	5.50	7.00	8.25	0.63	4.50	0.31	2.00	1/2"-13	5/8"-8 ACME
324C2HD	324	22.75	19.25	2.50	14.44	6.25	5.25	8.00	8.50	0.75	5.25	0.38	2.50	5/8"-11	3/4"-6 ACME
326C2HD	326	22.75	20.75	2.50	15.94	6.25	6.00	8.00	9.25	0.75	5.25	0.38	2.50	5/8"-11	3/4"-6 ACME
364C2HD	364	25.50	20.50	2.44	15.75	7.00	5.63	9.00	9.13	0.75	6.00	0.38	2.50	5/8"-11	3/4"-6 ACME
365C2HD	365	25.50	21.50	2.50	16.75	7.00	6.13	9.00	9.63	0.75	6.00	0.38	2.50	5/8"-11	3/4"-6 ACME
404C2HD	404	29.50	22.38	3.25	17.13	8.00	6.13	10.00	9.88	0.88	7.00	0.38	3.00	3/4"-10	1"-5 ACME
405C2HD	405	29.50	23.88	3.25	18.63	8.00	6.88	10.00	10.63	0.88	7.00	0.38	3.00	3/4"-10	1"-5 ACME
444C2HD	444	32.00	24.63	3.25	19.38	9.00	7.25	11.00	11.00	0.88	7.00	0.38	3.00	3/4"-10	1"-5 ACME
445C2HD	445	32.00	26.63	3.25	21.38	9.00	8.25	11.00	12.00	0.88	7.00	0.38	3.00	3/4"-10	1"-5 ACME
447C2HD	447	32.00	30.13	3.25	24.88	9.00	10.00	11.00	13.75	0.88	7.00	0.38	3.00	3/4"-10	1"-5 ACME
449C2HD	449	32.00	35.13	3.25	29.88	9.00	12.50	11.00	16.25	0.88	7.00	0.38	3.00	3/4"-10	1"-5 ACME