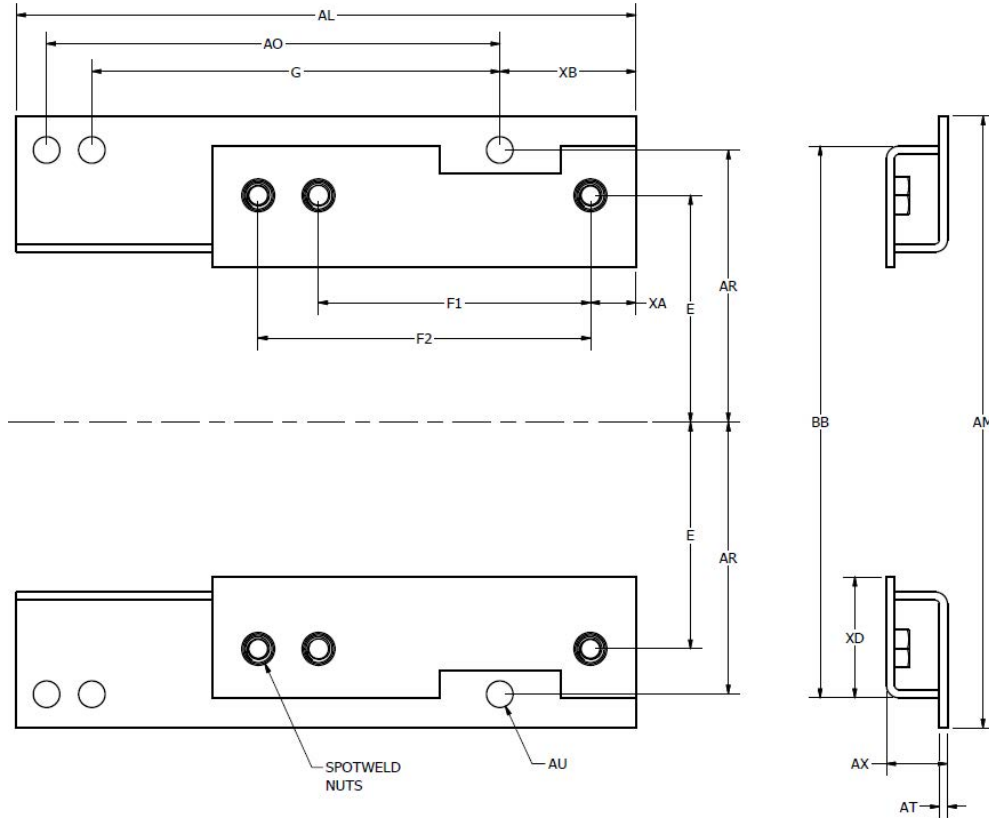


OVERLY HAUTZ COMPANY

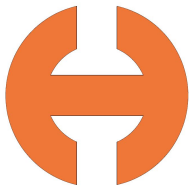
THE WORLD'S MOST COMPLETE LINE OF MOUNTING PRODUCTS

CONVERSION BASES



DIMENSION CHART FOR CONVERSION BASES

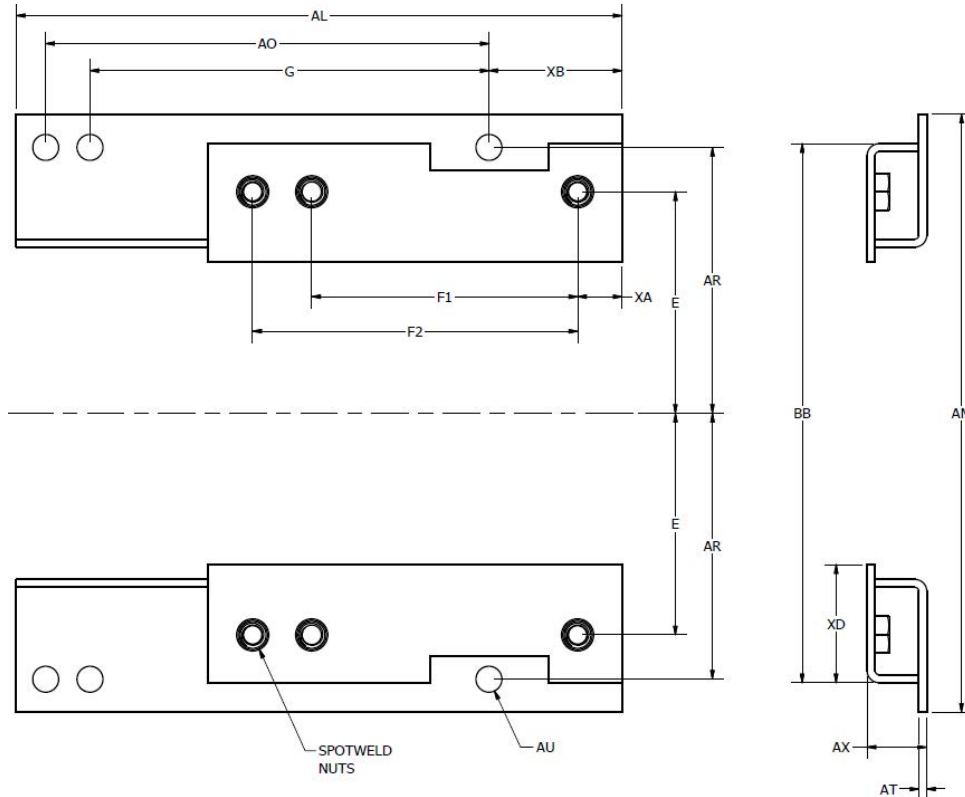
PART NUMBER	OLD FRAME SIZE	NEW FRAME SIZE	AL	AM	AX	BB	E	F1	F2	XA	XB	XD	AO	G	AR	AU	AT	SPOTWELD NUTS
66-56	66	56	7.00	6.75	0.63	5.90	2.38	3.00	-	0.75	1.50	1.13	5.00	-	2.94	0.34	0.25	5/16"-18
2218	224	182	10.25	10.13	1.00	9.13	6.75	4.50	5.50	0.75	2.25	2.00	7.50	6.75	4.50	0.44	0.13	3/8"-16
		184																
	225	182																
		184																
25U21T	254	213 215	13.00	11.75	1.00	10.69	4.25	5.50	7.00	1.00	2.13	2.19	10.00	8.25	5.00	0.56	0.13	3/8"-16
284254U	284	254U	12.00	13.25	0.75	12.75	5.00	8.25	-	1.00	1.50	2.75	9.50	-	5.50	0.56	0.16	1/2"-13
3225U	324	254U	16.00	14.25	1.69	13.00	5.00	8.25	10.00	1.00	3.13	2.88	12.00	10.50	6.25	0.69	0.19	1/2"-13
		256U																
	326	254U																
		256U																
3628U	364	284U	16.00	15.63	2.00	14.13	5.50	9.50	11.00	1.00	2.88	3.00	12.25	11.25	7.00	0.69	0.25	1/2"-13
		286U																
	365	284U																
		286U																
36US324TS	364	324U	15.75	15.75	1.00	15.25	6.25	10.50	-	1.88	2.50	3.38	12.25	11.25	7.00	0.69	0.19	5/8"-11
	364S	324S																
	365	324U																
	365S	324S																
365US326TS	365	326U	15.75	15.75	1.00	15.25	6.25	12.00	-	1.88	2.50	3.38	12.25	-	7.00	0.69	0.19	5/8"-11
	365S	326S																



OVERLY HAUTZ COMPANY

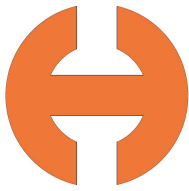
THE WORLD'S MOST COMPLETE LINE OF MOUNTING PRODUCTS

CONVERSION BASES



DIMENSION CHART FOR CONVERSION BASES

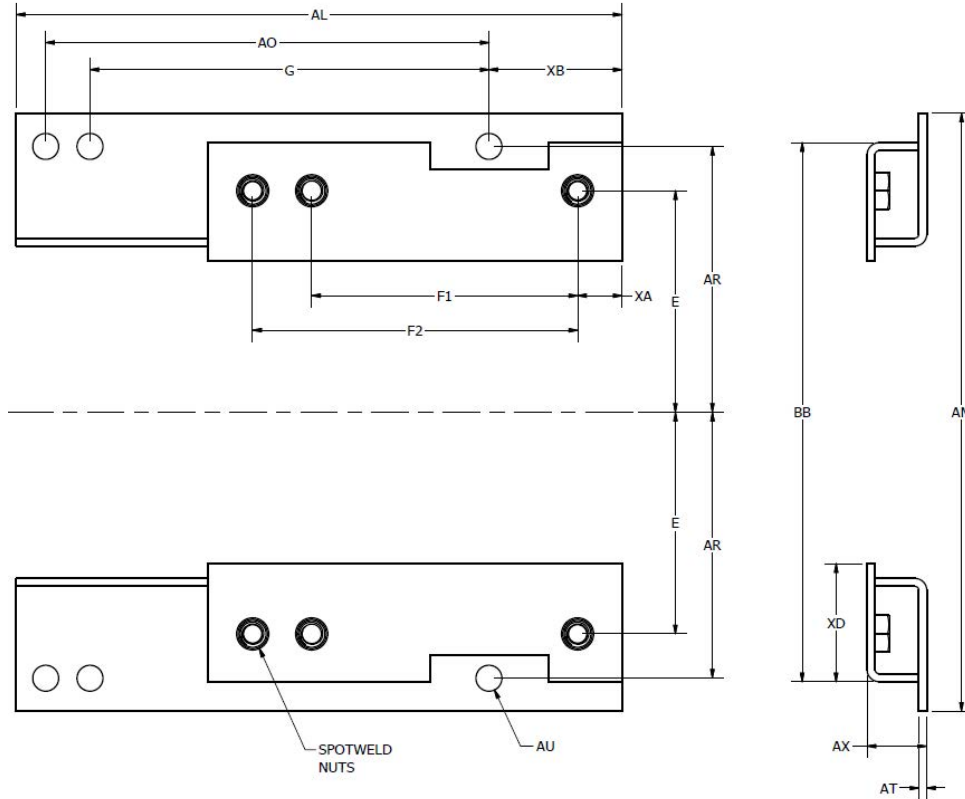
PART NUMBER	OLD FRAME SIZE	NEW FRAME SIZE	AL	AM	AX	BB	E	F1	F2	XA	XB	XD	AO	G	AR	AU	AT	SPOTWELD NUTS
1814T	182	143T	7.50	8.50	1.00	6.38	2.75	4.00	5.00	0.75	1.25	1.25	5.50	4.50	3.75	0.44	0.12	5/16"-18
		145T																
	184	143T																
2014T	203	143T	9.00	9.00	1.44	6.88	2.75	4.00	5.00	0.75	1.63	1.50	6.50	5.50	4.00	0.47	0.13	5/16"-18
		145T																
	204	143T																
2114T	213	143T	10.50	9.88	1.75	6.94	2.75	4.00	5.00	1.00	3.00	1.50	7.00	5.50	4.25	0.44	0.13	5/16"-18
		145T																
	215	143T																
2118T	213	182T	9.50	9.59	0.75	8.97	3.75	4.50	5.50	1.00	2.00	1.50	7.00	3.50	4.25	0.56	0.13	3/8"-16
		184T																
	215	182T																
2214T	224	143T	11.00	10.00	1.94	7.31	2.75	4.00	5.00	0.75	2.75	7.31	7.50	6.75	4.50	0.48	0.12	5/16"-18
		145T																
	225	143T																
2218T	224	182T	10.25	10.50	1.00	9.63	3.75	4.50	5.50	1.00	2.00	2.13	7.50	6.75	4.50	0.44	0.13	3/8"-16
		184T																
	225	182T																
2518T	254	182T	12.25	11.63	1.69	8.88	3.75	4.50	5.50	1.00	3.13	1.75	8.25	-	5.00	0.56	0.19	3/8"-16
		184T																
2521T	254	213T	11.00	11.75	1.00	10.69	4.25	5.50	7.00	1.00	1.75	2.19	8.25	-	5.00	0.56	0.13	3/8"-16
		215T																



OVERLY HAUTZ COMPANY

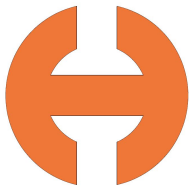
THE WORLD'S MOST COMPLETE LINE OF MOUNTING PRODUCTS

CONVERSION BASES



DIMENSION CHART FOR CONVERSION BASES

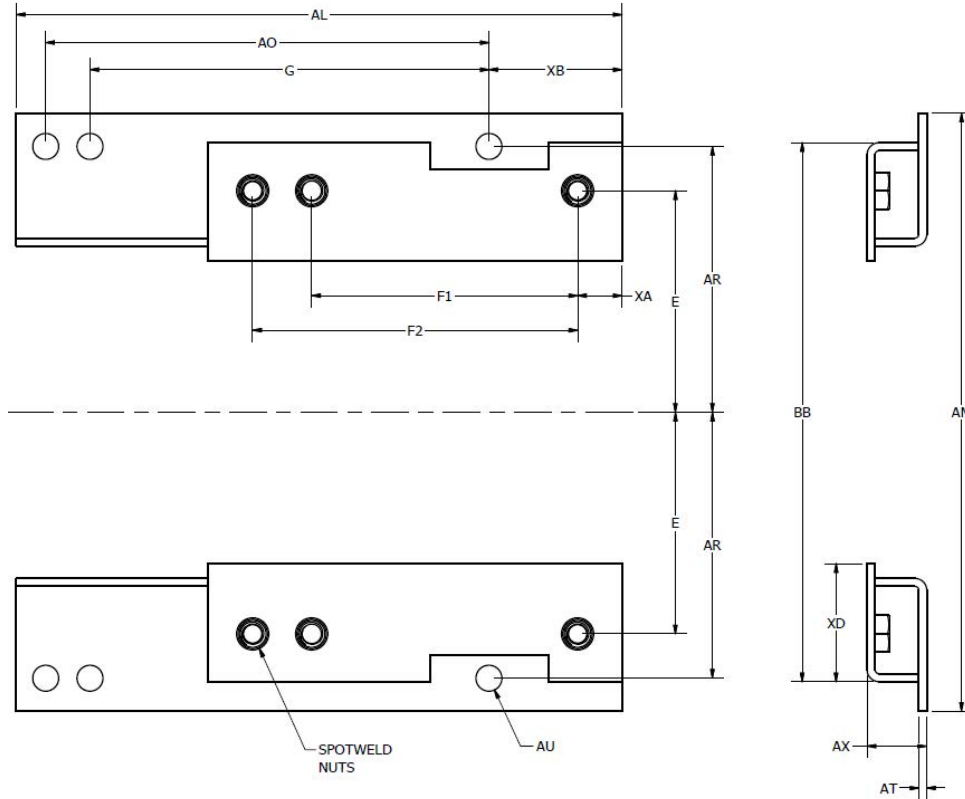
PART NUMBER	OLD FRAME SIZE	NEW FRAME SIZE	AL	AM	AX	BB	E	F1	F2	XA	XB	XD	AO	G	AR	AU	AT	SPOTWELD NUTS
25U21T	254U	213T	13.00	11.75	1.00	10.69	4.25	5.50	7.00	1.00	2.13	2.19	10.00	8.25	5.00	0.56	0.13	3/8"-16
		215T																
	256U	213T																
		215T																
2821T	284	213T	13.38	13.00	1.75	11.00	4.25	5.50	7.00	1.25	2.88	2.25	9.50	-	5.50	0.56	0.13	3/8"-16
		215T																
28U25T	284U	254T	14.50	12.75	0.75	12.38	5.00	8.25	10.00	1.25	2.63	2.38	11.00	9.50	5.50	0.56	0.16	1/2"-13
		256T																
	286U	254T																
		256T																
3221T	324	213T	17.50	14.50	2.69	11.13	4.25	5.50	7.00	1.25	4.50	2.31	12.00	10.50	6.25	0.69	0.19	3/8"-16
		215T																
	326	213T																
		215T																
3225T	324	254T	16.00	14.25	1.75	13.75	5.00	8.25	10.00	1.25	3.13	3.50	12.00	10.50	6.25	0.69	0.25	1/2"-13
		256T																
	326	254T																
		256T																
324S284TS	324S	284TS	13.50	14.25	1.00	13.75	5.50	9.50	-	1.50	2.00	2.88	10.50	-	6.25	0.69	0.16	1/2"-13
32S28TS	326S	284TS	15.00	14.13	1.00	13.75	5.50	9.50	11.00	1.50	2.00	2.94	12.00	-	6.25	0.69	0.16	1/2"-13
		286TS																
32U28T	324U	284TS	16.00	14.25	1.00	13.88	5.50	9.50	11.00	1.50	3.00	2.88	12.00	10.50	6.25	0.69	0.16	1/2"-13
		286TS																
	326U	284TS																
		286TS																



OVERLY HAUTZ COMPANY

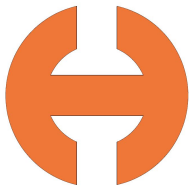
THE WORLD'S MOST COMPLETE LINE OF MOUNTING PRODUCTS

CONVERSION BASES



DIMENSION CHART FOR CONVERSION BASES

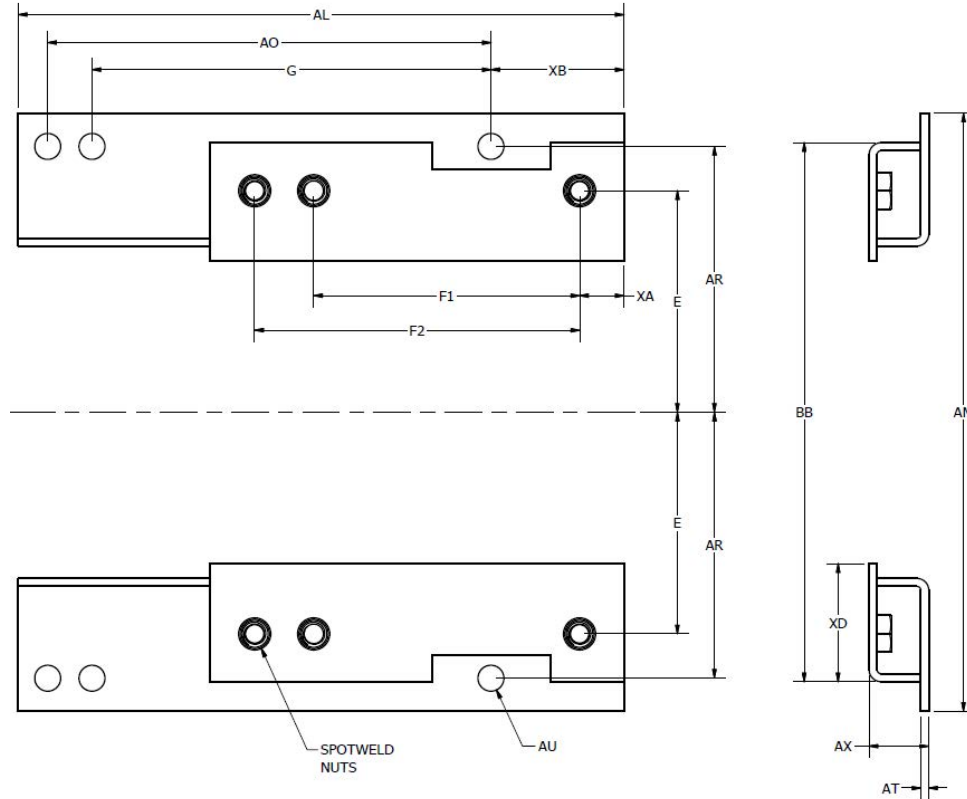
PART NUMBER	OLD FRAME SIZE	NEW FRAME SIZE	AL	AM	AX	BB	E	F1	F2	XA	XB	XD	AO	G	AR	AU	AT	SPOTWELD NUTS
3628T	364	284T	16.50	15.88	2.00	14.63	5.50	9.50	11.00	1.25	3.38	3.75	12.25	11.25	7.00	0.69	0.25	1/2"-13
		286T																
	365	284T																
36US324TS	364US	324TS	15.75	15.75	1.00	15.25	6.25	10.50	-	1.88	2.50	3.38	12.25	11.25	7.00	0.69	0.19	5/8"-11
	365US	286T																
365US326TS	365US	326TS	15.75	15.75	1.00	15.25	6.25	12.00	-	1.88	2.50	3.38	12.25	-	7.00	0.69	0.19	5/8"-11
36U32T	364U	324T	16.75	15.75	1.00	15.38	6.25	10.50	10.00	1.75	3.50	3.50	12.25	11.25	7.00	0.69	0.19	5/8"-11
		326T																
	365U	324T																
	326T																	
4028T	404	284T	20.00	18.00	3.00	14.50	5.50	9.50	11.00	1.50	5.13	3.25	13.75	12.25	8.00	0.81	0.25	1/2"-13
		286T																
	405	284T																
4032T	404	324T	19.50	18.00	2.00	16.50	6.25	10.50	12.00	2.00	4.50	3.75	13.75	12.25	8.00	0.81	0.25	5/8"-11
		326T																
	405	324T																
	326T																	
40U36T	404U	364T	18.75	18.50	1.00	18.00	7.00	11.25	12.25	2.00	4.00	3.75	13.75	12.25	8.00	0.81	0.25	5/8"-11
		365T																
	405U	364T																
40US36TS	404US	364TS	18.00	18.50	1.00	18.00	7.00	11.25	12.25	2.00	3.25	3.75	13.75	12.25	8.00	0.81	0.25	5/8"-11
		365TS																
	405US	364TS																
	365TS																	



OVERLY HAUTZ COMPANY

THE WORLD'S MOST COMPLETE LINE OF MOUNTING PRODUCTS

CONVERSION BASES



DIMENSION CHART FOR CONVERSION BASES

PART NUMBER	OLD FRAME SIZE	NEW FRAME SIZE	AL	AM	AX	BB	E	F1	F2	XA	XB	XD	AO	G	AR	AU	AT	SPOTWELD NUTS
4432T	444	324T	23.50	20.00	2.00	15.50	6.25	10.50	12.00	1.75	5.88	3.50	16.50	14.50	9.00	0.81	0.25	5/8"-11
		326T																
	445	324T																
		326T																
4436T	444	364T	21.75	20.25	2.00	18.25	7.00	11.25	12.25	1.25	4.13	4.00	16.50	14.50	9.00	0.81	0.25	5/8"-11
		365T																
	445	364T																
		365T																
44U36T	444U	364T	24.00	20.00	2.00	18.00	7.00	11.25	12.25	2.13	6.50	3.75	16.50	14.50	9.00	0.81	0.25	5/8"-11
		365T																
	445U	364T																
		365T																
44US36T	444US	364T	19.50	20.00	2.00	18.00	7.00	11.25	12.25	2.00	2.00	3.75	16.50	14.50	9.00	0.81	0.25	5/8"-11
		365T																
	445US	364T																
		365T																
44US36TS	444US	364TS	21.75	20.00	2.00	18.00	7.00	11.25	12.25	2.13	4.25	3.75	16.50	14.50	9.00	0.81	0.25	5/8"-11
		365TS																
	445US	364TS																
		365TS																
44U40T	444US	404T	22.00	20.50	1.00	20.00	8.00	12.25	13.75	2.25	4.50	3.75	16.50	14.50	9.00	0.81	0.25	3/4"-10
		405T																
	445US	404T																
		405T																
44US40TS	444US	404TS	20.50	20.50	1.00	20.00	8.00	12.25	13.75	2.13	3.00	3.75	16.50	14.50	9.00	0.81	0.25	3/4"-10
		405TS																
	445US	404TS																
		405TS																