



# OVERLY HAUTZ COMPANY

PO BOX 837 215 SOUTH WEST STREET LEBANON, OHIO 45036-0873  
 PHONE 513.932.0025 FAX 513.932.1688 WWW.OVERLYHAUTZ.COM

## DATA SHEET AD-5 ADAPT-O-MOUNT

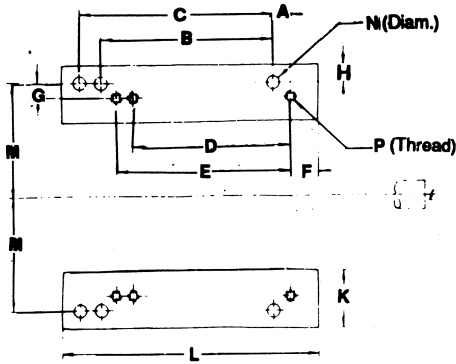


figure 1

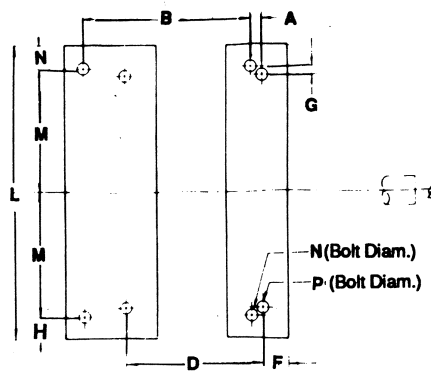
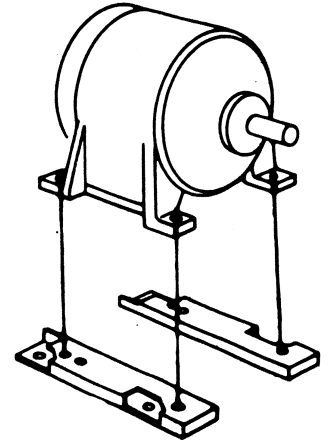


figure 2



Former NEMA	New NEMA	Overly-Hautz part number	O.A. height	A	B	C	D	E	F	G	H	K	L	M	N	P
66	56	66-56	5/8	3/4	5		3		3/4	1/2	1/2	2	7	2-15/16	11/32	5/16-18
203	182	2018	1/2	3/8	5-1/2		4-1/2		13/16	1/4	3/4		9-1/2	4	3/8	3/8
204	184				6-1/2		5-1/2									
224	182	2218	1	1-1/2	6-3/4		4-1/2									
224	184				6-3/4			5-1/2	3/4	3/4	1/2	2-3/8	10-1/4	4-1/2	13/32	3/8-16
225	182					7-1/2	4-1/2									
225	184					7-1/2		5-1/2								
224	213	*2221A	1/4	0	6-3/4		5-1/2									
225	213					7-1/2	5-1/2		1	0	1	2	9-1/2	4-1/2	13/32	3/8-16
224	213	2221B	1/4	0	6-3/4		5-1/2									
225	213				7-1/2		5-1/2		1-1/4	1/4	1		11	4-1/2	3/8	3/8
254	213	25U21T	1	1-1/8	8-1/4		5-1/2									
254	215				8-1/4			7	1	3/4	3/4	2-1/2	13	5	9/16	3/8-16
284	254U	284254U	3/4	1/2	9-1/2		8-1/4		1	1/2	1-1/8	3	12	5-1/2	9/16	1/2-13
324	254U	3225U	1-3/4	2-1/8	10-1/2		8-1/4									
324	256U				10-1/2			10								
326	254U					12	8-1/4		1	1-1/4	7/8	3-1/2	16	6-1/4	11/16	1/2-13
326	256U					12		10								
364	284U	3628U	2	1-7/8	11-1/4		9-1/2									
364	286U				11-1/4			11								
365	284U					12-1/4	9-1/2		1	1-1/2	13/16	3-3/4	16	7	11/16	1/2-13
365	286U					12-1/4		11								
364	324U	36US324TS		5/8	11-1/4		10-1/2		1-7/8	3/4	3/4	3-1/2	15-3/4	7	11/16	5/8-11
364S	324S	36US324TS		5/8	11-1/4		10-1/2		1-7/8	3/4	3/4	3-1/2	15-3/4	7	11/16	5/8-11
365	324U	36US324TS		5/8		12-1/4	10-1/2		1-7/8	3/4	3/4	3-1/2	15-3/4	7	11/16	5/8-11
365S	324S															
365	326U	365US326TS		5/8		12-1/4		12	1-7/8	3/4	3/4	3-1/2	15-3/4	7	11/16	5/8-11
365S	326S															

Information for conversions not listed available on request.

### DIMENSIONS ARE IN INCHES CORRESPONDING TO LETTERS IN ABOVE DRAWING.

- \* Use for adjustable mounting application. See FIGURE #1.
  - \*\* Use for stationary mounting application. See FIGURE #2.
- All units will accommodate an adjustable or stationary application with the exception of parts #2018 & #2221-B which are for stationary applications only. All units, packed in cartons, are furnished with one coat of gray primer & all necessary nuts & bolts for making transitions.

Certification for: \_\_\_\_\_

PT. No.: \_\_\_\_\_ Date: \_\_\_\_\_ By: \_\_\_\_\_