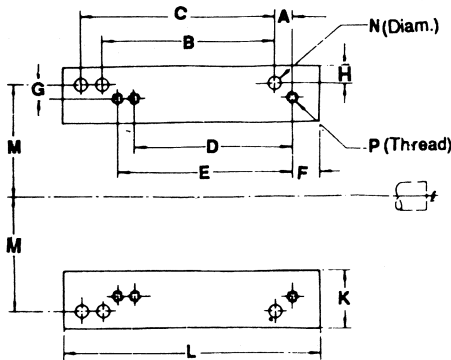




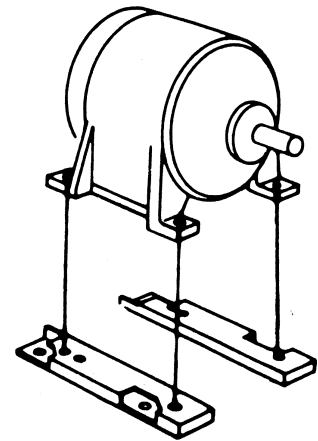
**OVERLY HAUTZ COMPANY**  
 PO BOX 837 215 SOUTH WEST STREET LEBANON, OHIO 45036-0873  
 PHONE 513.932.0025 FAX 513.932.1688 WWW.OVERLYHAUTZ.COM

**DATA SHEET AD-7**

**ADAPT-O-MOUNT**



adapting to the  
**NEMA**  
 "T" SERIES  
 motors



Former NEMA	New NEMA	Overly-Hautz part number	O.A. height	A	B	C	D	E	F	G	H	K	L	M	N	P
203	143T				5-1/2		4									
203	145T	2014T	1-1/2	7/8	5-1/2			5								
204	143T					6-1/2	4									
204	145T					6-1/2		5	3/4	1-1/4	1/2	2-1/2	9	4	7/16	5/16-18
213	143T				5-1/2		4									
213	145T	2114T	1-3/4	2	5-1/2			5								
215	143T					7	4									
215	145T					7		5	1	1-1/2	5/8	2-7/8	10-1/2		7/16	3/8-16
224	143T				6-3/4		4									
224	145T	2214T	2	2	6-3/4			5								
225	143T					7-1/2	4									
225	145T					7-1/2		5	3/4	1-3/4	1/2	5	11	4-1/2	7/16	5/16-18
224	182T				6-3/4		4-1/2									
224	184T	2218T	1	1	6-3/4			5-1/2		3/4	3/4	2-1/2	10-1/4		7/16	3/8-16
225	182T					7-1/2	4-1/2		1							
225	184T					7-1/2		5-1/2								
254	182T				8-1/4		4-1/2	5-1/2								
254	184T	2518T	1-3/4	2-1/8	8-1/4		4-1/2	5-1/2	1	1-1/4	3/4	3	12-1/4	5	9/16	3/8-16
254	213T				8-1/4		5-1/2		1	3/4	3/4	2-1/2	11		9/16	3/8-16
254	215T	2521T	1	3/4	8-1/4			7								
284	213T				9-1/2		5-1/2									
284	215T	2821T	1-3/4	1-5/8	9-1/2			7	1-1/4	1-1/4	1	3-1/4	13-3/8		9/16	3/8-16

Information for conversions not listed available on request.

**DIMENSIONS ARE IN INCHES CORRESPONDING TO LETTERS IN ABOVE DRAWING.**

All units will accommodate an adjustable or stationary application.

All units, packed in cartons, are furnished with one coat of gray primer & all necessary nuts & bolts for making transitions.

(OVER)

Certification for: \_\_\_\_\_

PT. No. \_\_\_\_\_ Date: \_\_\_\_\_ By: \_\_\_\_\_ D'S AD 7