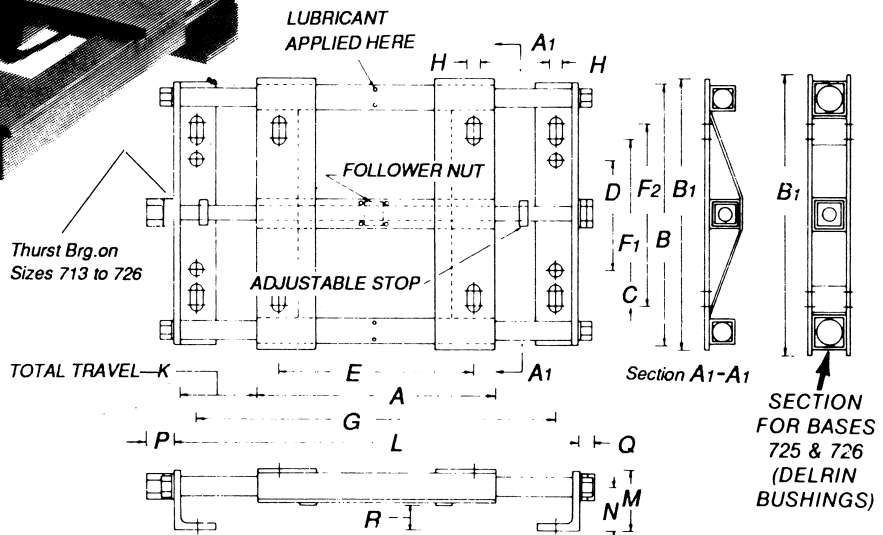
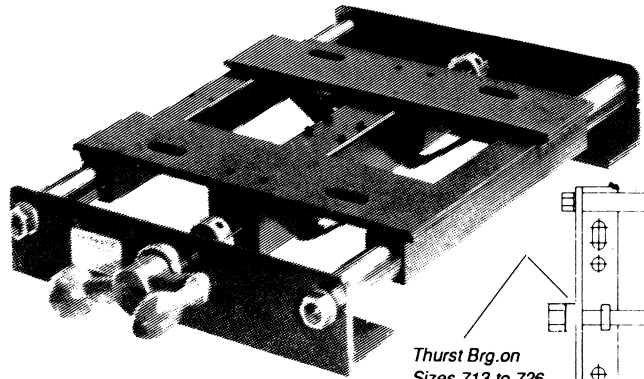


The 700 Series "Automatic"[®] Motor Base



The 700 Series is for use with motors equipped with spring loaded variable-pitch pulleys on which one or both flanges are movable and where the driven pulley is grooved or has a standard flat. Where one flange is movable, the driven pulley should have a wide flat—not crowned. Use the 800 Series with pulleys with one flange movable with either a standard or grooved driven pulley.

The 700/800 series is designed to quickly and easily move the motor, during operation, to increase or decrease the center distance between pulleys.

BASE NO.		NEMA Frame Equivalent	Max. Motor Wt.	A	B	B ₁	C	D	E	F ₁	F ₂	G ± 1/32	H	K	L	M	N	P	Q	R	WT.
Horizontal	Vertical																				
701		56	50	6 7/8	5 7/8	6 7/8	1/2		4 7/8	2 1/2	3 1/2	9 1/4	1 1/32	4 3/8	10 3/4	1 3/8	3/4	7/16	9/16	5/16	5
703		66	70	7 3/8	8 7/8	8 3/8	5/8		5 7/8	4 3/8	5 5/8	11	1 3/32	4 7/8	12 1/2	1 3/8	3/4	7/16	9/16	5/16	6
705		143-145	90	7	8 1/4	8 1/2	5/8		5 1/2	3 7/8	5 5/8	10 3/8	1 3/32	5	12 3/8	1 7/8	1 1/16	9/16	1 1/16	7/16	10
707		182-184	110	9	9 3/8	9 5/8	5/8		7 1/2	4 3/8	5 5/8	13 3/8	1 3/32	5 7/8	15 3/8	2 5/32	1 7/32	3/4	7/8	1 1/32	18
713		213-215	175	10 1/2	11 3/8	11 3/4	7/8		8 1/2	5 3/8	7 7/8	14 1/4	1 3/32	6	17	2 9/16	1 7/16	1 5/16	1	7/16	32
721		254-256	280	12 1/2	15 1/4	15 1/2	1		10	8 7/8	10 7/8	17 3/8	9/16	7	20 7/8	3 3/8	1 3/4	1 5/8	1 1/4	1/2	48
723		284-286	400	14	16 3/4	17	1		11	9 7/8	11 7/8	20	9/16	8	22 3/4	3 5/32	1 25/32	1 5/8	1 1/4	1 7/32	65
725		324-326	600	18 1/4	18 3/4	19 7/8	1	11	12 1/2	10 1/2	12	23 1/2	1 1/16	7 3/4	27	5 7/8	3 3/4	1 5/8	1 1/4	2 3/8	120
	726																				

- NOTES:
- (1) SIZE 725 HAS ONE ADJUSTING SCREW. SIZE 726 HAS TWO ADJUSTING SCREWS CONNECTED BY A CHAIN. ADJUSTING SCREWS ARE NORMALLY EQUIPPED WITH HEAVY HEX NUTS. CRANKS WILL BE PROVIDED ONLY WHEN REQUESTED, AND AT AN ADDITIONAL COST.
 - (2) FOR INSTALLATIONS REQUIRING AUTOMATIC MOTION CONTROL, WHERE THE ADJUSTING SCREW IS ROTATED BY A MOTOR, SEE OUR BULLETIN FOR THE 1400-SERIES.
 - (3) BASES FOR LARGER MOTORS ARE BUILT TO ORDER. BASES FOR MOTORS EQUIPPED WITH VARIABLE PITCH PULLEYS, HAVING ONE MOVABLE FLANGE ARE DESCRIBED IN OUR BULLETIN FOR THE 800-SERIES.